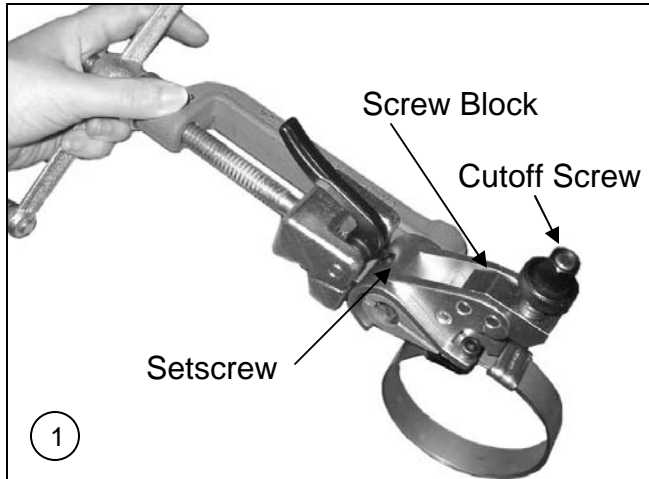
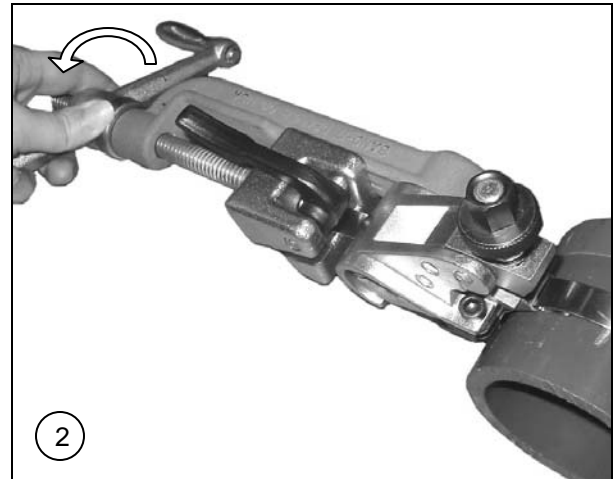


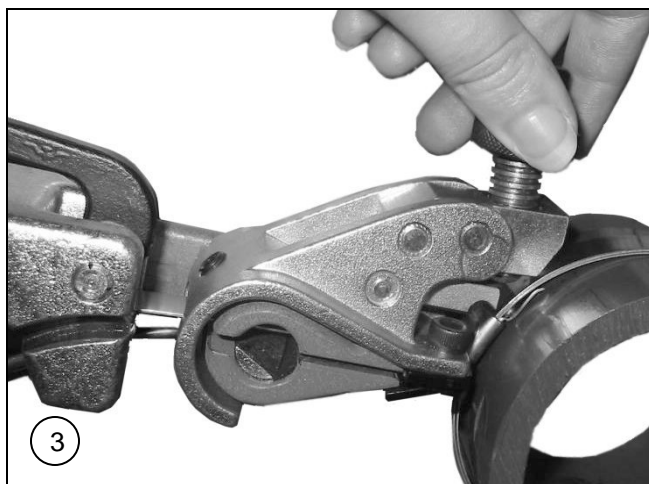
To Install a BAND-IT Junior Clamp using the Heavy Duty Adapter:



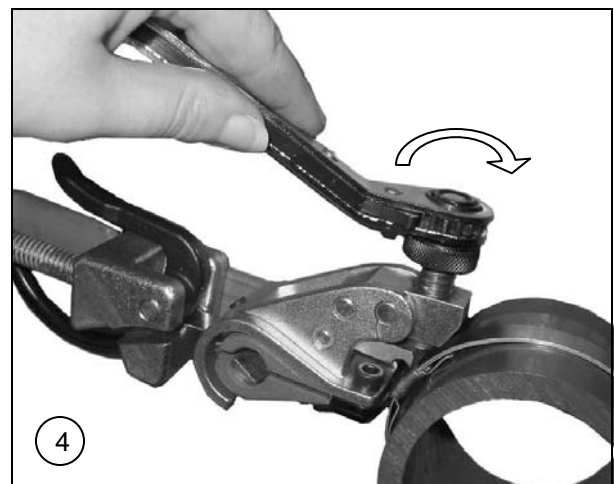
Place Heavy Duty Adapter on nose of BAND-IT tool, positioned as shown. Cut-off screw should not extend beyond bottom of screw block. Line up tool and adapter slots and tighten two setscrews. Insert BAND-IT Junior or Junior SID clamp tail into adapter nose through all slots and grip end with band gripper lever.



Install clamp over hose assembly. Tension clamp by turning the handle of BAND-IT Tool clockwise.

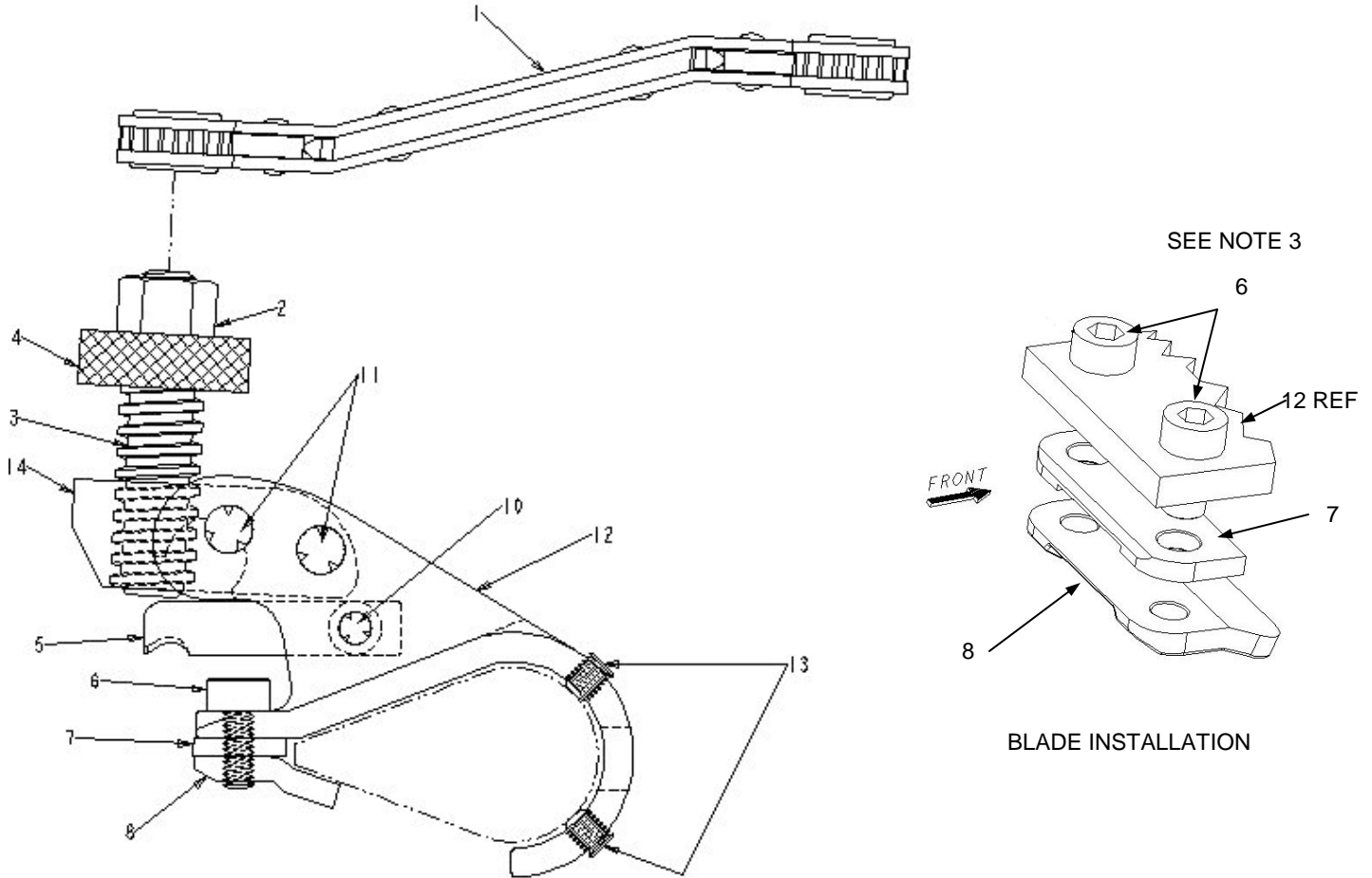


When properly tensioned, roll tool over hose, backing off tension handle $\frac{1}{4}$ to $\frac{1}{2}$ turn only, through course of rollover, (depending on type and size of hose) until shear hook grips buckle edge. Tighten knurled nut by hand, securing buckle tightly between edge of hook and nose of adapter.



Place ratchet wrench on hex nut. Operate wrench clockwise until clamp is sheared. Clamp is now locked and completed.

NOTE: USE OF A VISE IS OPTIONAL TO HOLD TOOL DURING USE.



NOTES:

1. TO ASSIST IN REMOVING THREADED PARTS, APPLY HEAT TO SOFTEN LOCKING COMPOUND.

2. WHEN CONNECTING ITEM 4 (KNOB) OR ITEM 2 (NUT) TO ITEM 3 (SCREW), CLEAN THREADS (MALE AND FEMALE) OF FOREIGN MATTER, THEN APPLY ONE DROP OF MEDIUM STRENGTH LOCKING COMPOUND (LOCTITE 242 OR EQUIVALENT) ONTO MALE THREAD AND CONNECT PARTS TOGETHER.

3. PERIODICALLY CHECK FOR TENSION ON THESE SCREWS. LOOSENED SCREWS WILL RESULT IN ASSEMBLY BREAKAGE.

J050 HEAVY DUTY ADAPTER, REPAIR PARTS LIST			
BAND-IT PART #	ITEM #	DESCRIPTION	QTY
J11985	1	RATCHET WRENCH	1
J06887	2	HEX NUT	1
	3	JR ADAPTER SCREW	1
	4	KNOB	1
J00587	5	SHEAR HOOK	1
J93099	6	SCREW, SPECIAL	2
	7	BACKING PLATE	1
	8	CUTTER BLADE	1
J00987	9	HEX KEY, SPECIAL	1
	10	PIN, GROOVED	1
	11	PIN, GROOVED	2
J05187	12	BODY	1
	13	SOCKET HEAD SCREW	2
J06787	14	SCREW BLOCK	1

Refer to website for warranty information: <http://www.band-it-idex.com/warranty.html>