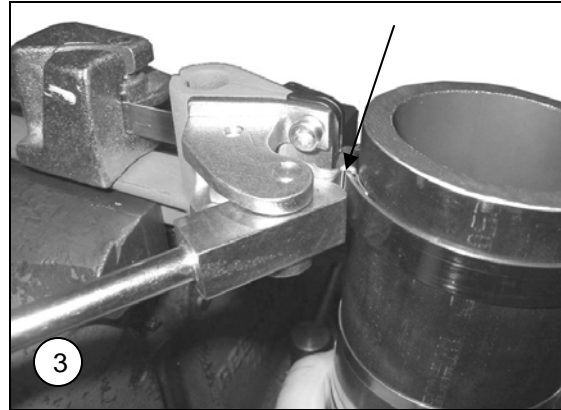


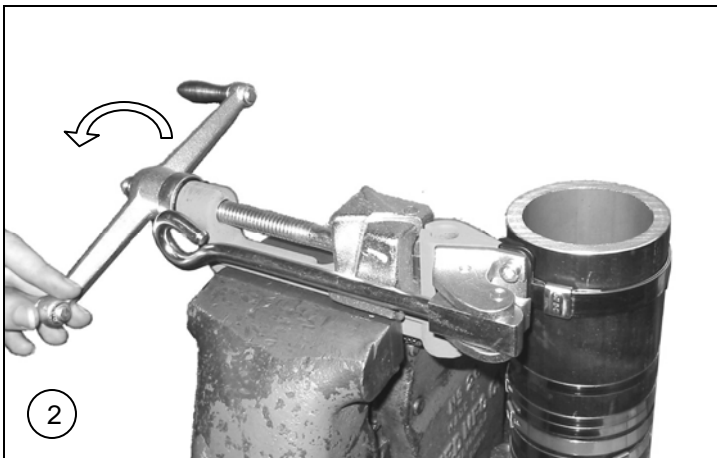
To Install a BAND-IT Junior Clamp:



Place BAND-IT tool in vise. BAND-IT JR Adapter installs over nose of tool. Insert BAND-IT Junior or Junior SID Clamp in Tool and grip end of band by Band Gripper Lever contained in the slide block assembly of BAND-IT tool.



When properly tensioned, roll tool over hose, backing off tension handle $\frac{1}{4}$ to $\frac{1}{2}$ turn only, through course of rollover, (depending on type and size of hose) until shear hook grips buckle edge. Push cutter handle forward in a quick motion to shear band, completing BAND-IT JR. Clamp.



Install clamp over hose assembly. Tension clamp by turning the handle of BAND-IT Tool clockwise. To feel movement of band, place finger on BAND-IT BAND at buckle edge while tensioning with tool handle. When you no longer feel band moving through buckle, MAXIMUM PRESSURE HAS BEEN EXERTED BY BAND-IT BAND.



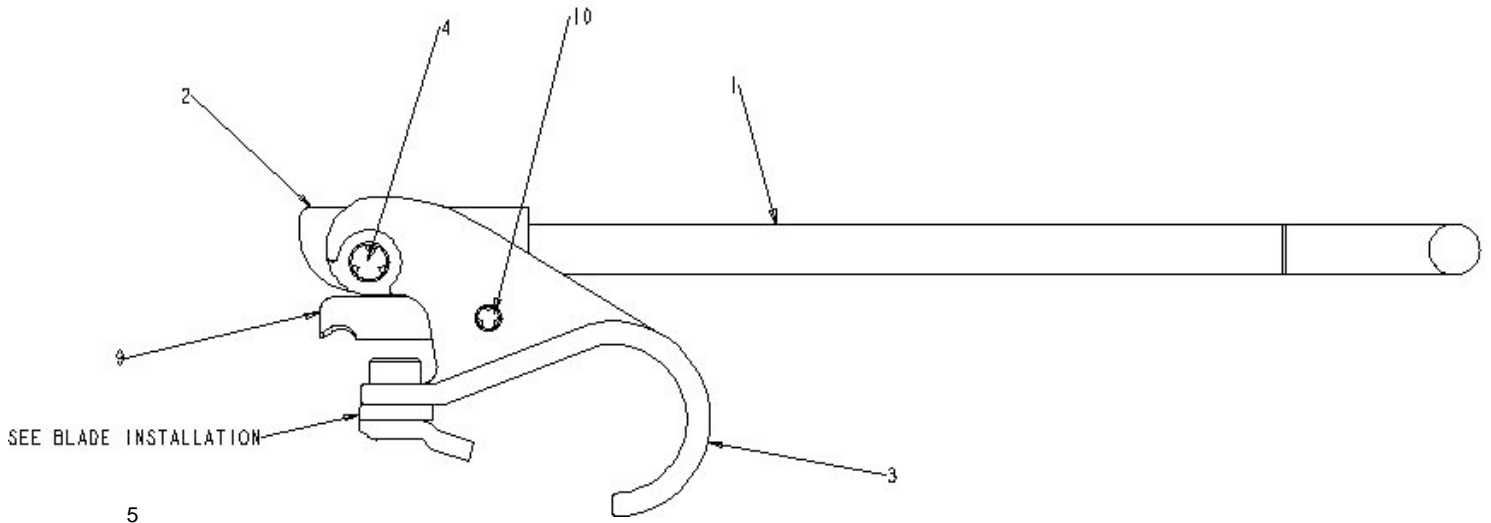
Clamp is now locked and completed. Band will be bent upward 90° and have a cut-off edge that is flush or slightly higher than the buckle.

NOTE: USE OF VISE IS OPTIONAL

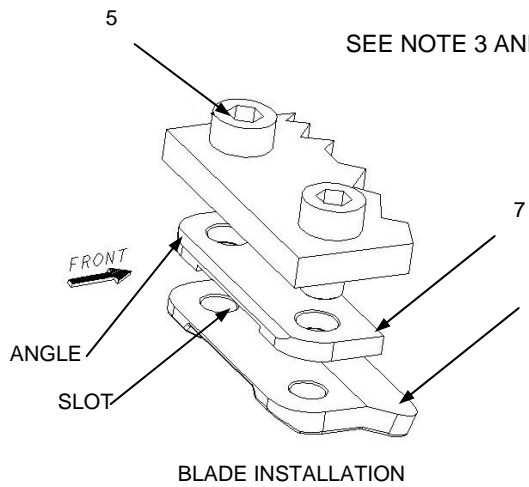
Repair Parts & Assembly



J001 JR Tool Adapter



SEE NOTE 3 AND 4



J001 JR ADAPTER REPAIR PARTS LIST			
BAND-IT PART #	ITEM #	DESCRIPTION	QTY
J01499	1	HANDLE	1
	2	CAM	1
J02299	3	BODY	1
	4	PIVOT CAM PIN	1
J93099	5	SCREW, SPECIAL	2
	6	CUTTER BLADE	1
	7	BACKING PLATE	1
	8	HEX KEY, SPECIAL	1
J00587	9	SHEAR HOOK	1
J00987	10	PIN, PIVOT HOOK	1

NOTES:

1. INSERT SCREWS AND INSTALL BACKING PLATE WITH SLOT FACING DOWN AND ANGLE IN FRONT AS SHOWN.
2. INSTALL CUTTER BLADE AS SHOWN.
3. HOLD BACKING PLATE AND CUTTER BLADE SECURELY WHILE TIGHTENING SCREWS.
4. PERIODICALLY CHECK FOR TENSION ON THESE SCREWS. LOOSENED SCREWS WILL RESULT IN ASSEMBLY BREAKAGE.

Refer to website for warranty information: <http://www.band-it-idex.com/warranty.html>