

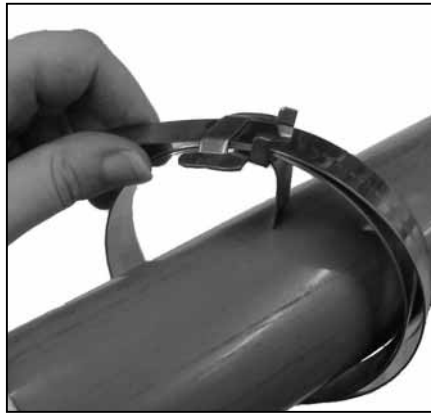
# Operating Instructions



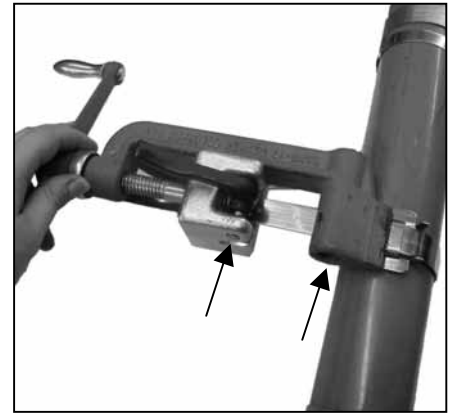
## C003 Heavy Duty Hand Tool



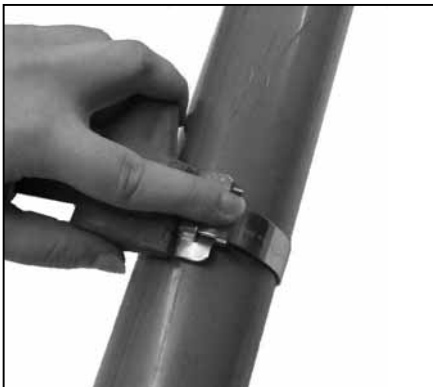
1. Band may be used from bulk roll as this *completely eliminates waste of band*. Slide buckle on band as shown, bringing end of band around object to be clamped and again through buckle.



2. Continue band around object once more and again through buckle. *Double banding develops a great deal more radial compression than single banding*. Bend end of band under buckle.



3. Place band in open of tool nose and gripper block. Move into slot as far as possible, to avoid buckle sliding into tool nose. Apply tension by turning handle of tool.



4. Place finger on BAND-IT Band at buckle bridge while tensioning with tool handle. When you feel BAND-IT Band stop moving through buckle as you are turning handle, *maximum pressure is being exerted by the BAND-IT Band* around object being clamped. Stop turning handle.



5. Roll tool over buckle, backing off with tension handle 1- 1½ turns throughout entire rolling operation. Failure to back off tension with tension handle throughout entire course of roll-over may result in breaking of band. There is no loss of tension as band released is used up in the bend.



6. Pull cutting handle to cut the band. When applying Giant Band clamps, prior to cutting off clamp, release band gripper and push tool nose away from buckle approx. ¼".



7. Remove tool, holding stub of band down with thumb.



8. Clinch stub by hammering down buckle ears, completing BAND-IT clamp.

## Gripper Cleaning Instructions:



1. Remove gripper. Align gripper pin hole with notch in tool frame. Using a punch and hammer, punch pin out of slide block.



2. Using a wire brush, clean all foreign matter from teeth.



3. Replace pin. Gripper spring must be seated in tension screw hole. Align gripper hole with slide block hole, insert pin in hole and hammer pin in place.

**NOTE:** Periodically apply white lubricant or equivalent to tension screw thread (Item 6 on page 3) to prevent excessive wear.

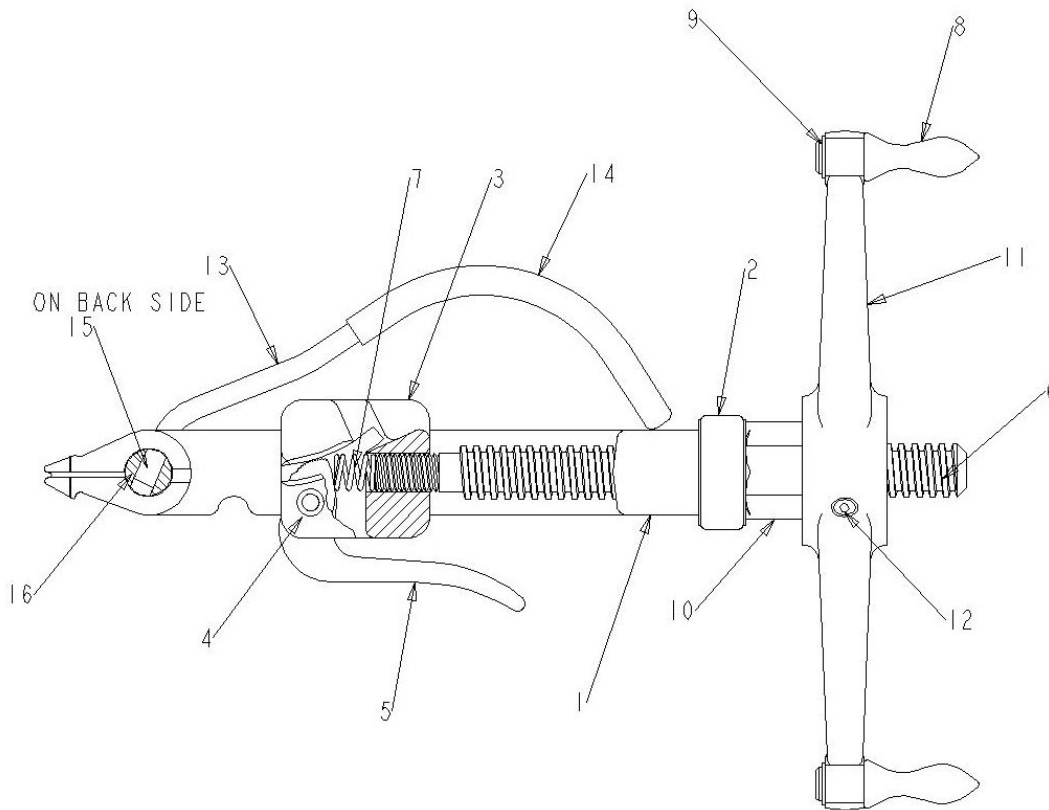
If tool fails to securely grip tail of clamp, follow gripper cleaning instructions above.

Unless sold without warranty, BAND-IT products are warranted to be free from defective workmanship and/or materials for a period of one year from the date of purchase. Warranty on tools is void if clamps not meeting BAND-IT specifications are used, or if the tool is altered or abused in any manner, including lack of lubrication or used for any purpose in any way not intended by the manufacturer as specifically covered by the instructions accompanying the tool. Specific tool components, such as knives, blades and grippers, which are subjected to normal wear, are excluded from this coverage, as component life depends on usage of the tool. Tools that are repaired or sold as used by BAND-IT are subject to a warranty of 90 days from date of shipment. **NO OTHER WARRANTY OF ANY KIND WHATSOEVER, EITHER ORAL OR WRITTEN, INCLUDING IMPLIED WARRANTY OF MERCHANTABILITY, FITNESS FOR A PARTICULAR PURPOSE, OR OTHER WARRANTY OF QUALITY IS EITHER EXPRESSED OR IMPLIED FOR THE PERFORMANCE OF BAND-IT PRODUCTS. BAND-IT SHALL NOT BE LIABLE FOR SPECIAL, INCIDENTAL, AND/OR CONSEQUENTIAL DAMAGES, EVEN IF BAND-IT HAS BEEN NOTIFIED OF THE POTENTIAL OF SUCH LOSS OR CLAIM. (8/02)**

# Tool Assembly Parts List



# C003 Heavy Duty Hand Tool



1. To assist in removing threaded parts, apply heat (softens locking compound).

2. When connecting item 6 (tension screw) to item 3 (slide block), clean threads (male and female) of foreign matter, then apply two drops of high strength locking compound (loctite 271 or equiv.) onto male threads and connect parts together. Apply 3 oz. Of white lubricant or equiv. to tension screw thread.

3. When connecting item 15 (set screw) to item 16 (cutter bar), clean threads (male and female) of foreign matter, then apply one drop of medium strength locking compound (loctite 242 or equiv.) onto male thread and connect parts together.

C00369 BAND-IT TOOL, REPAIR PARTS LIST			
ASSY #	ITEM	DESCRIPTION	QTY
C02187	1	TOOL FRAME	1
C07087	2	THRUST BEARING	1
C06799	3	SLIDE BLOCK	1
	4	PIN, ECC. LEVER PIVOT	1
	5	BAND GRIPPER	1
	6	TENSION SCREW	1
	7	GRIPPER SPRING	1
C04799	8	SPIN GRIP	2
	9	EXTERNAL RETAINING RING	2
	10	BUSHING, TENSION HANDLE	1
	11	TENSION HANDLE	1
C05887	12	SET SCREW, HALF DOG	1
	13	CUTTER BAR HANDLE	1
	14	VINYL GRIP	1
	15	SET SCREW	1
	16	CUTTER BAR	1