

Operating Instructions



C001 Hand Tool



1. Band may be used from bulk roll as this *completely eliminates waste of band*. Slide buckle on band as shown, bringing end of band around object to be clamped and again through buckle.
NOTE: The tension screw thread should be lubricated regularly.



2. Continue band around object once more and again through buckle. *Double banding develops a great deal more radial compression than single banding.* Bend end of band under buckle.



3. Place band in open of tool nose and gripper block. Move into slot as far as possible, to avoid buckle sliding into tool nose. Apply tension by turning handle of tool.



4. Place finger on BAND-IT Band at buckle bridge while tensioning with tool handle. When you feel BAND-IT Band stop moving through buckle as you are turning handle, *maximum pressure is being exerted by the BAND-IT Band* around object being clamped. *Stop turning handle.*



5. *Roll tool over buckle, backing off with tension handle throughout entire rolling operation.* Failure to back off with tension handle through-out entire course of roll-over may result in breaking of band. There is no loss of tension as band released is used up in the bend.



6. Pull cutting handle to cut the band. When applying $\frac{3}{4}$ " Giant clamps, prior to cutting off clamp, release band gripper and push tool nose away from buckle approx. $\frac{1}{4}$ ".



7. Remove tool, holding stub of band down with thumb.



8. Hammer down buckle ears to complete BAND-IT clamp.

Gripper Cleaning Instructions:



1. Remove gripper. Align gripper pin hole with notch in tool frame. Using a punch and hammer, punch pin out of slide block.



2. Using a wire brush, clean all foreign matter from teeth.



3. Replace pin. Gripper spring must be seated in tension screw hole. Align gripper hole with slide block hole, insert pin in hole and hammer pin in place.

Scru-Lokt Buckles:



1. The BAND-IT Scru-Lokt clamp, using the Scru-Lokt buckle, is applied in exactly the same way as the BAND-IT clamp except that the tool is not rolled over.



2. After tension is applied, insert set screw in Scru-Lokt buckle and tighten. To permit taking up Scru-Lokt clamp, or to re-use, a 3 inch (7.5 cm) stub should be left so that tool will be able to re-grip band later.



3. Where stub of band is left for Scru-Lokt clamp, it may be folded under as shown.

Tool Accessories:

JR Adapters: The JR adapters (J001 and J050 heavy duty) are used with the BAND-IT C001 tool when BAND-IT JR. preformed clamps are used.

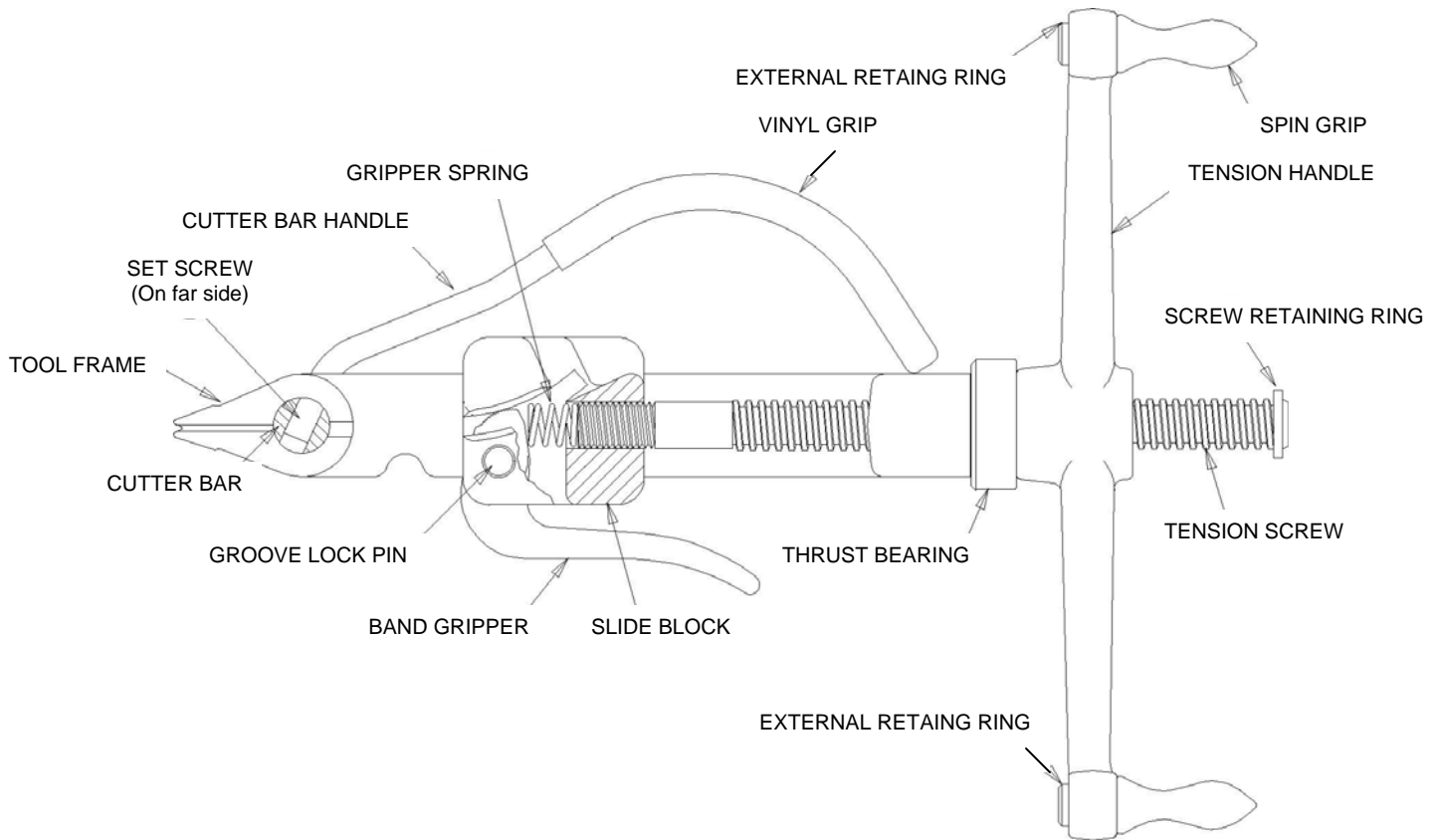
C043 Close Quarter Tension Nut: In cramped quarters, use instead of tool tension handle.

NOTE: See general catalog or web site for instructions and ordering information.

Tool Assembly Parts List



C001 Hand Tool



SEE SHEET 4 FOR REPAIR PART NUMBERS

1. To assist in removing threaded parts, apply heat (softens locking compound).
2. When connecting the tension screw to the slide block, clean threads (male and female) of foreign matter, then apply two drops of high strength locking compound (Loctite 271 or equiv.) onto male threads and connect parts together. Apply 3 oz. of food-grade white lubricant or equiv. to tension screw thread.
3. When connecting the set screw to the cutter bar, clean threads (male and female) of foreign matter, then apply one drop of medium strength locking compound (Loctite 242 or equiv.) onto male thread and connect parts together.
4. Kit # C00689 contains the C02078 Assembly and the C03882 Tension Screw.



REPAIR PARTS LIST FOR C001	
PART #	DESCRIPTION
C01140	TOOL FRAME
C01687	THRUST BEARING
C02488	SLIDE BLOCK ASSEMBLY INCLUDES: SLIDE BLOCK , GROOVE LOCK PIN, AND BAND GRIPPER
C03882	TENSION SCREW
C03186	GRIPPER SPRING
C02078	TENSION HANDLE ASSEMBLY INCLUDES: SPIN GRIP, EXTERNAL RETAINING RING, SCREW RETAINING RING, AND TENSION HANDLE
C05899	CUTTER BAR ASSEMBLY INCLUDES: CUTTER BAR HANDLE, VINYL GRIP, SET SCREW, AND CUTTER BAR
C01387	SLIDE BLOCK
C01786	GROOVE LOCK PIN
C01886	BAND GRIPPER
C03387	SCREW RETAINING RING
C01587	CUTTER BAR HANDLE
C03088	VINYL GRIP
C03687	SET SCREW
C05587	CUTTER BAR

Refer to website for warranty information: <http://www.band-it-idex.com/warranty.html>